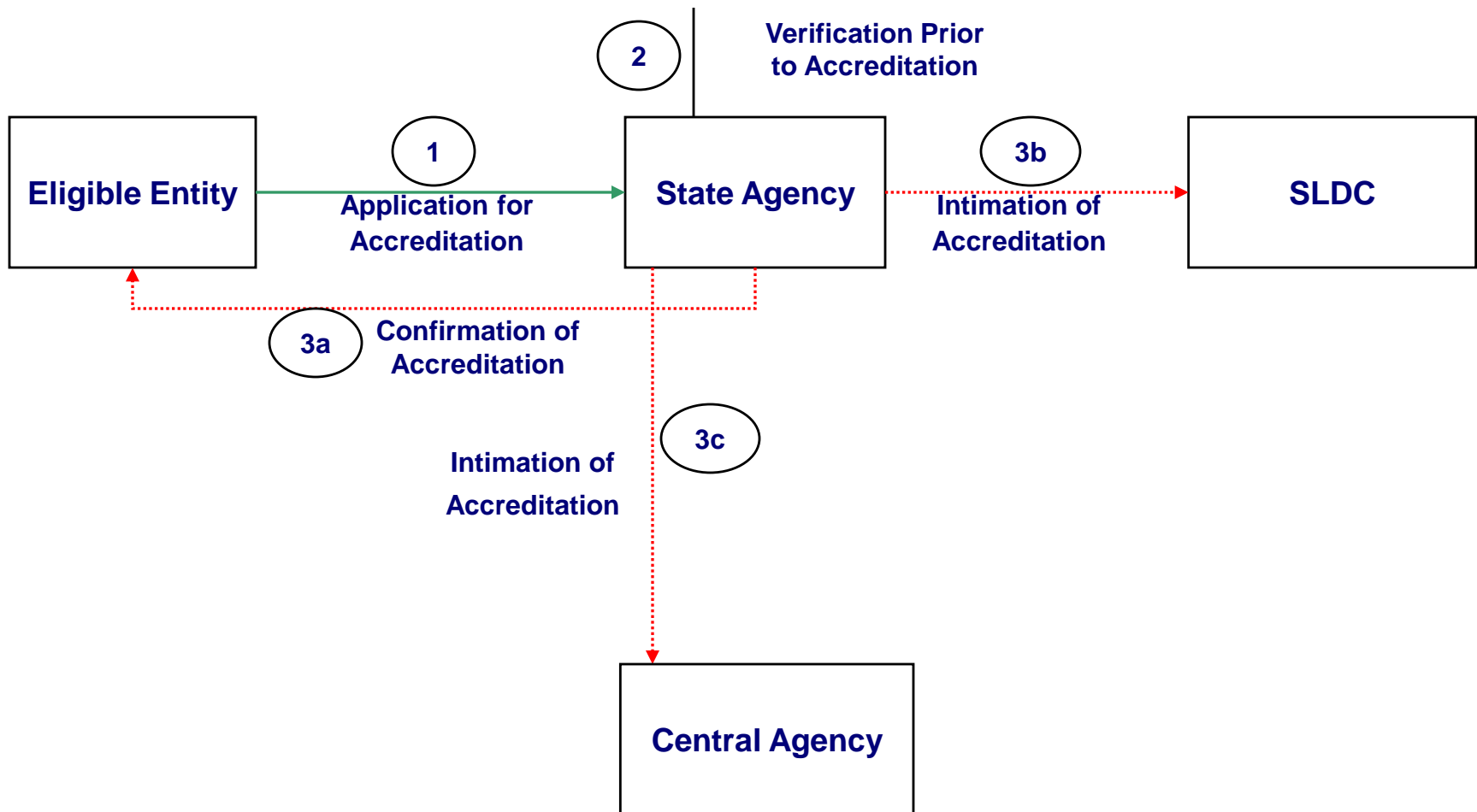

PROCEDURES FOR IMPLEMENTATION OF REC MECHANISM

INDEX

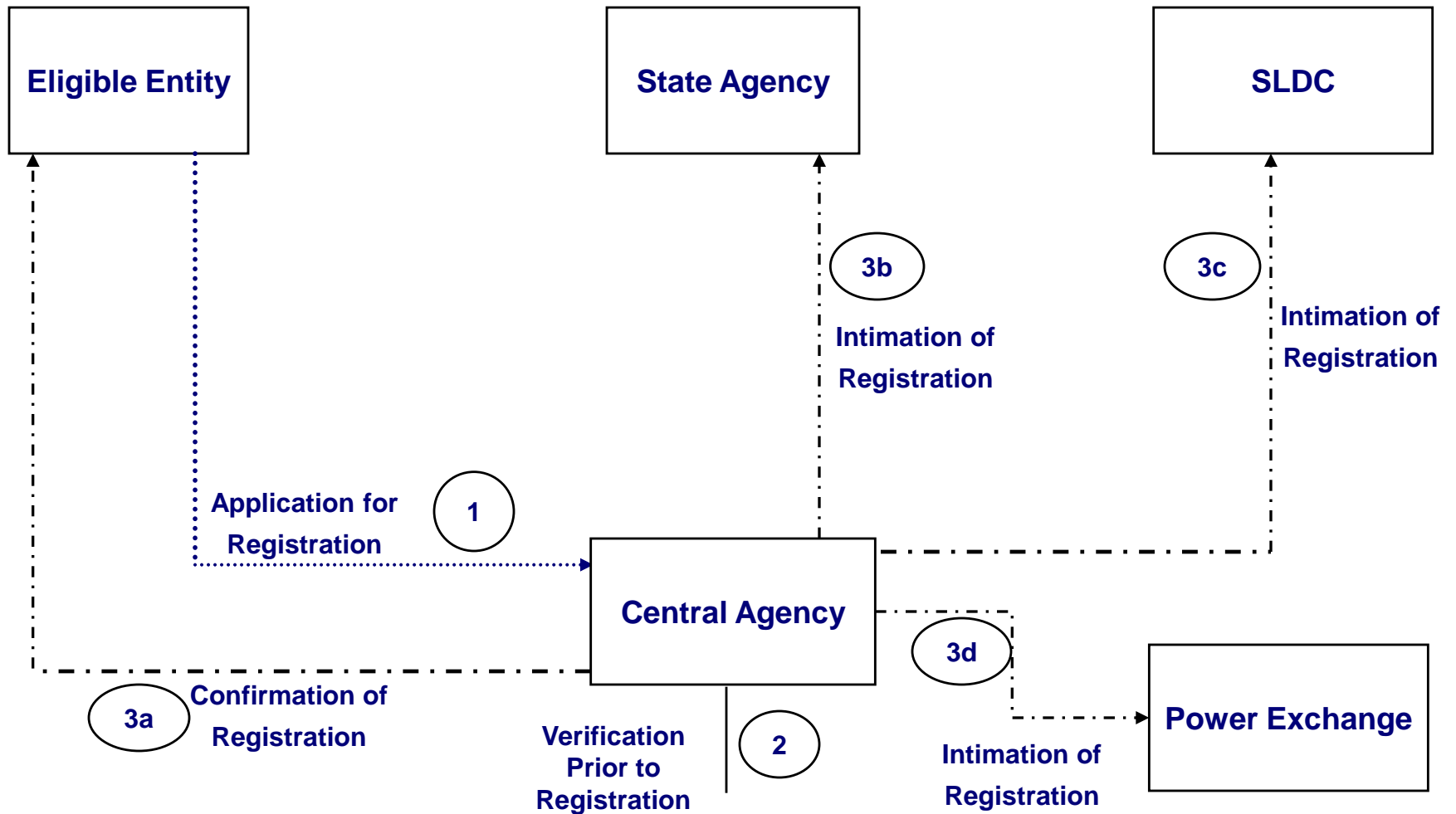
- **MODEL GUIDELINES FOR ACCREDITATION BY STATE AGENCY**
- **REGISTRATION BY CENTRAL AGENCY**
- **ISSUANCE OF REC_s BY CENTRAL AGENCY**
- **REDEMPTION OF REC_s**

Schematic for REC Implementation Procedures

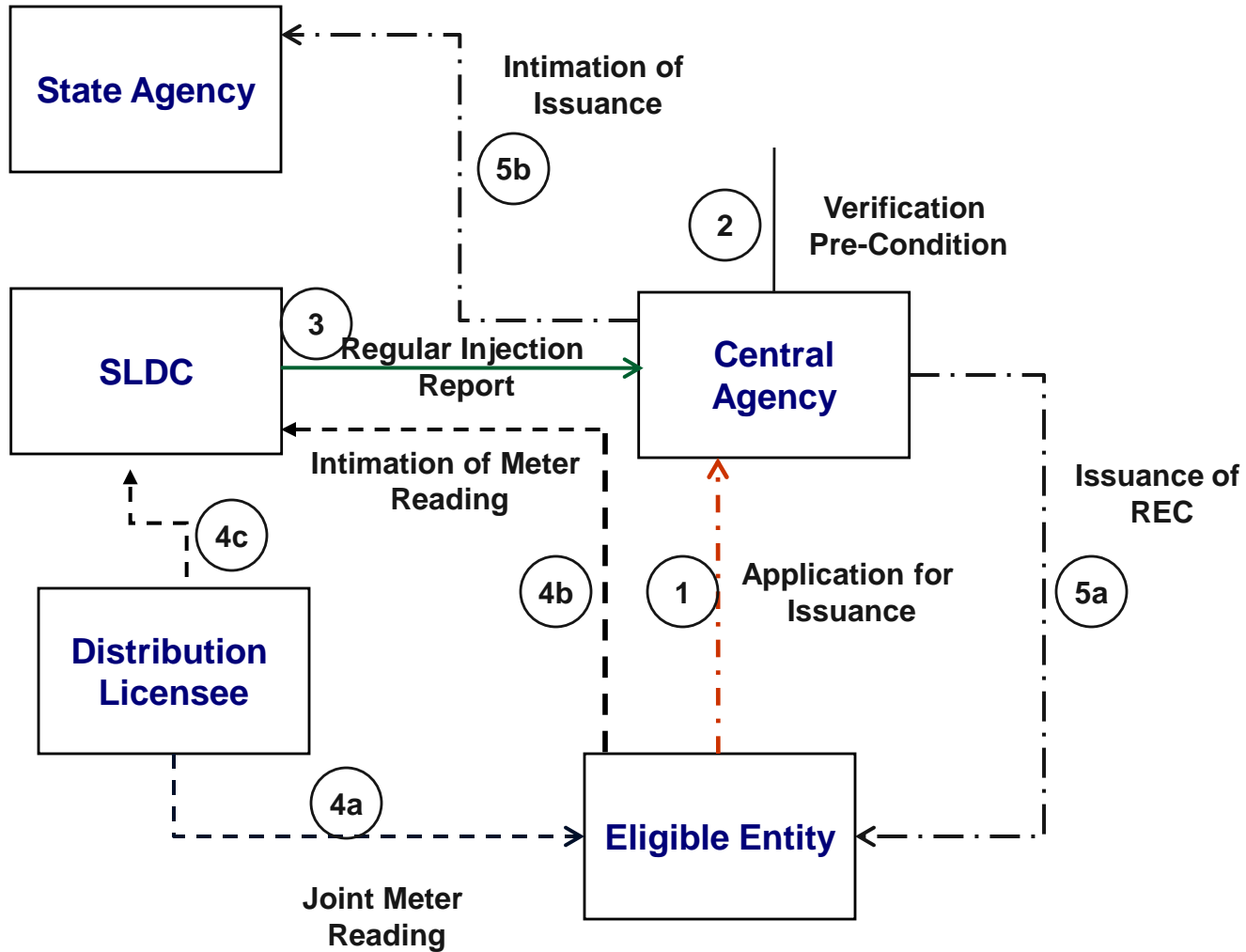
Model Guidelines / Procedure for Accreditation



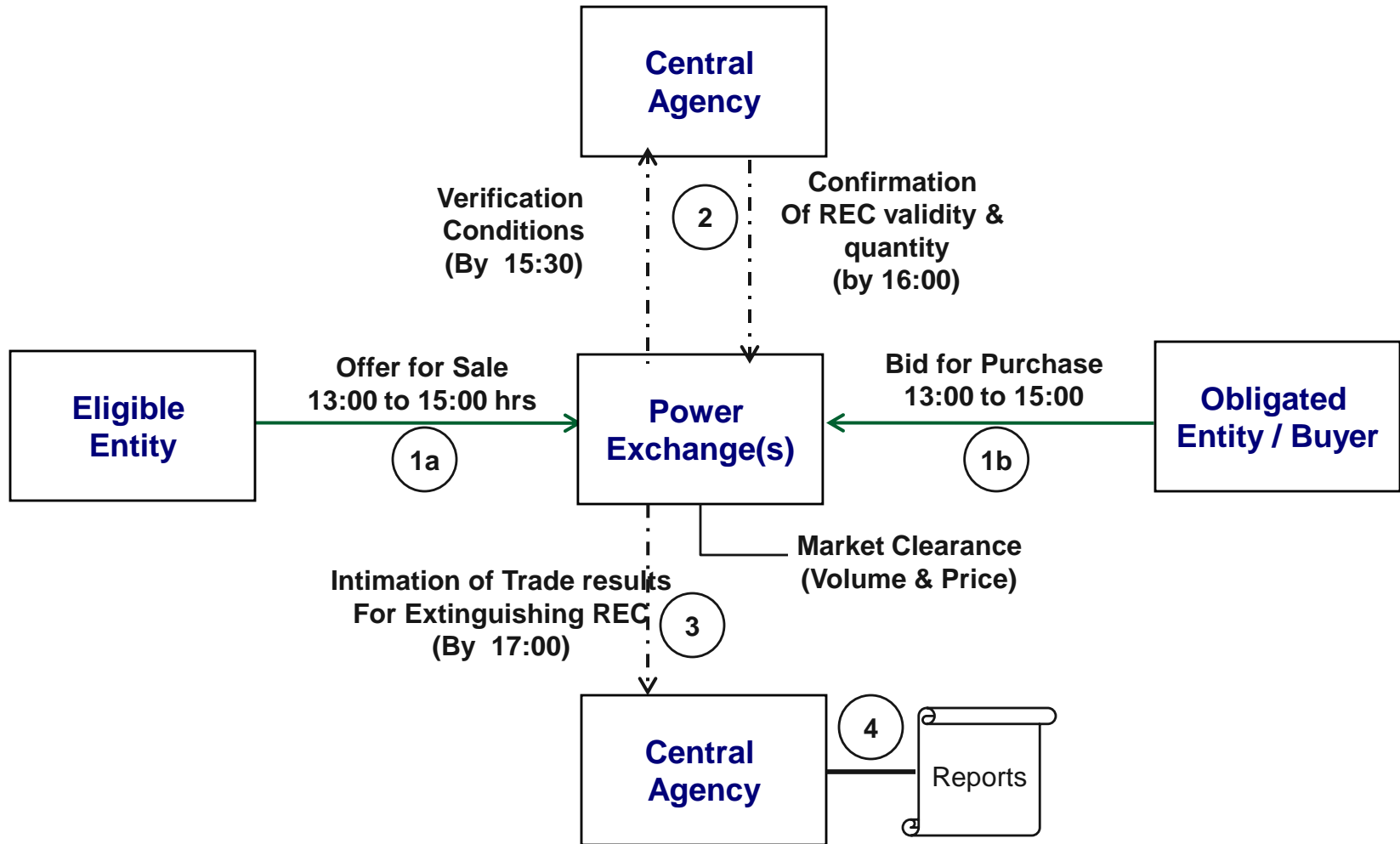
Procedure for Registration



Procedure for Issuance



Procedure for Redemption



MODEL GUIDELINES FOR ACCREDITATION BY STATE AGENCY

Model Guidelines: Contents

- **Objective**
- **Applicability & Scope**
- **Step wise description**
- **Functions, roles and responsibilities of entities involved**
- **Information requirement – application form & content**
- **Report: format for accreditation certificate**
- **Timelines**
- **Fees and charges**
- **Event of default and consequences thereof**
- **Powers to remove difficulties**

Model Guidelines: Applicability & Scope

- **Applicable to all Generating Companies Using RE sources for generation as recommended by MNRE.**
- **State Commission to designate State Agency to recommend the accreditation of RE Generators.**
- **State Agency to undertake accreditation six months earlier than from commissioning date.**
- **Validity of accreditation: 5 years**

Model Guidelines: Information Requirement

- **Owner**
- **Operator**
- **RE Station**
- **Connectivity**
- **Metering**
- **Statutory Clearance**
- **General**
- **Fees & Charges**
- **Declaration**

Online generation of Application, print & submit to State Agency along with enclosures

Model Guidelines: Timelines, Fees & Charges

■ **Timelines:**

- ❑ Undertake accreditation of those generating facilities which are proposed to be commissioned within period not exceeding 6 months from the date of application.
- ❑ State Agency to inform the applicant with regard to the incompleteness of the application within 2 working days.
 - Applicant to respond within 7 working days.

■ **Fees & Charges for State Agency**

- ❑ One time application processing fees
- ❑ One time accreditation charges
- ❑ Annual charge for accreditation
- ❑ Accreditation charges for re-validation/extension

REGISTRATION BY CENTRAL AGENCY

Registration: Applicability and Scope

- **Applicable to all RE Generating companies who have received the Certificate of accreditation**

- **Undertake registration**
 - Not earlier than 3 months prior to proposed date of commissioning
 - After receipt of Certificate of Accreditation

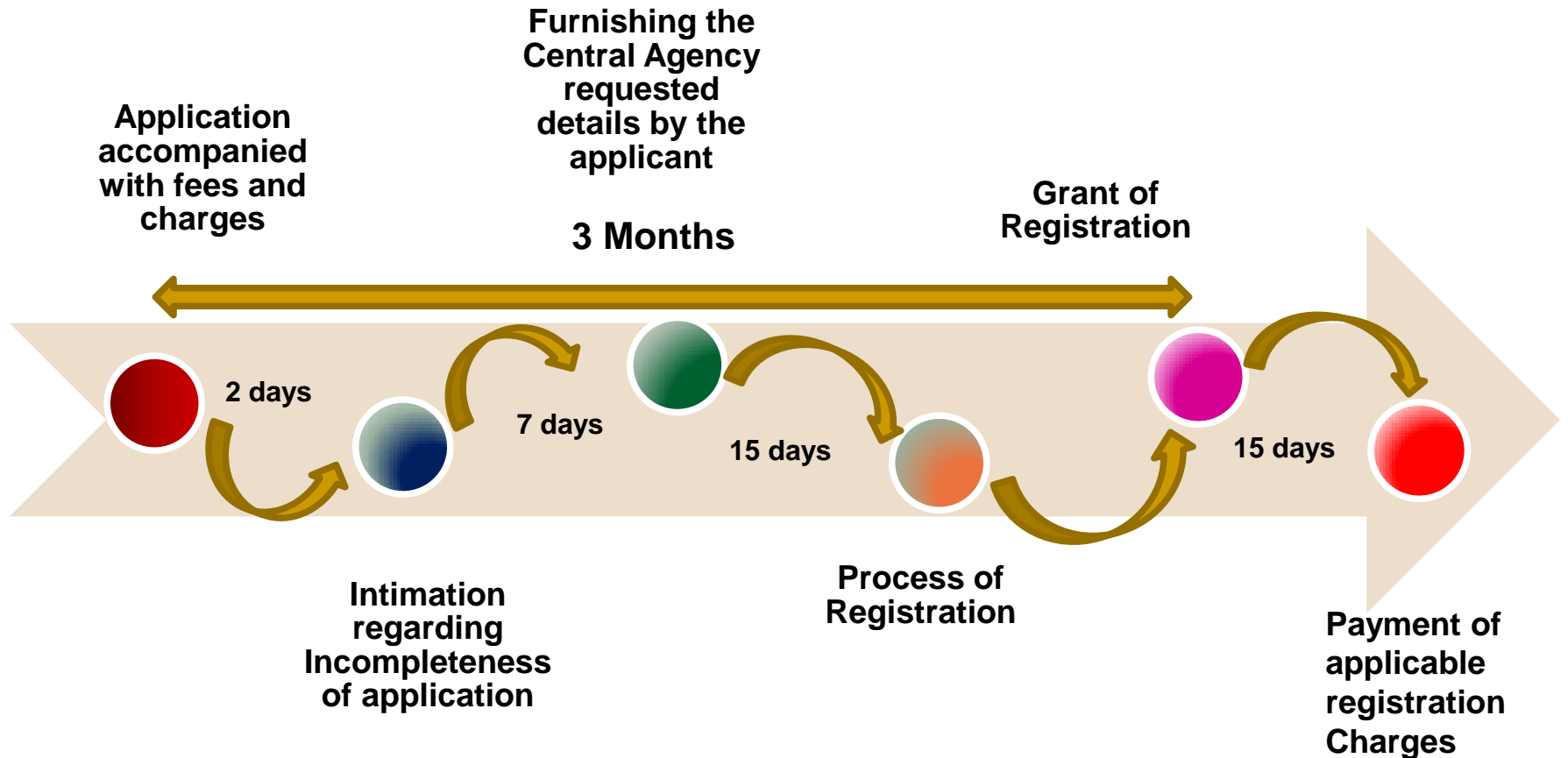
- **Validity of Registration: 5 Years**

Registration: Information Requirement

- **Application for Registration as per the format specified**
- **Should contain**
 - Owner details
 - RE Generation Station details
 - Certificate of Accreditation by the state agency
 - Generation facility commissioning schedule
 - Any other relevant information as specified
 - Non-refundable registration fees/charges and annual fee/charges shall be accompanied
 - Declaration
- **Separate applications in case of multiple RE generation projects**

Online generation of Application, print & submit to Central Agency along with enclosures

Registration: Time Line



Registration: Fees and Charges

- **One time Registration processing fees**
- **One time registration Charges**
- **Annual charges for Registration**
- **Registration Charges for Revalidation/ extension of validity**

ISSUANCE OF REC_s BY CENTRAL AGENCY

Issuance of RECs

■ **Applicability & Scope**

- ❑ Eligible Entities, who have received 'Certificate of Registration' from the Central Agency
- ❑ Central Agency while issuing the REC'S to Eligible Entities

■ **Information Requirement**

- ❑ Renewable Energy Injection Report
- ❑ The Registration Number issued by Central Agency
- ❑ Details of Fee and Charges
- ❑ Compliance Auditor report, if any

■ **Denomination**

- ❑ 1 REC = 1 MWh

Issuance of RECs: Timelines

- **Eligible Entity to apply for issuance of renewable energy certificates within three (3) months of energy injection**
- **The application for issuance of Renewable Energy Certificates may be made on a fortnightly basis**
- **Central Agency to issue the REC to the Eligible Entities within fifteen (15) days from the date of application**

REDEMPTION OF REC_s AFTER TRADE IN POWER EXCHANGE(s)

Redemption of RECs

- **Validity of RE Certificates : 365 days**
- **Applicable to the Eligible Entity that chooses to place the RECs for dealing on the Power Exchange(s)**
- **Bidding in the Power Exchange(s)**
- **Central Agency to verify quantity of valid RECs available with the concerned eligible entity**
- **Extinguishing of the RECs based on the successful trades culminated in the Power Exchange(s)**
 - **First-in-first-out order for extinguishing**

Draft Procedures for REC Implementation

■ Available for stakeholder comments on:

□ www.forumofregulators.org

□ www.cercind.gov.in

□ www.nldc.in / www.nldcindia.in

□ www.forumofloaddespatchers.in / www.forumofd.in

Thank you !!

Email ID:

reccentralagency@powergridindia.com