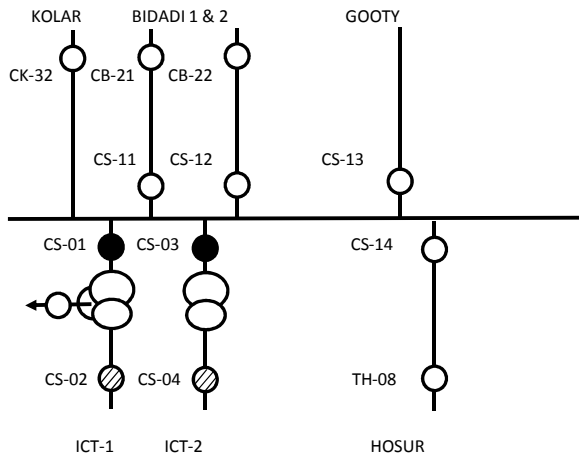


# IMPORTANT BUS SECTIONS KARNATAKA

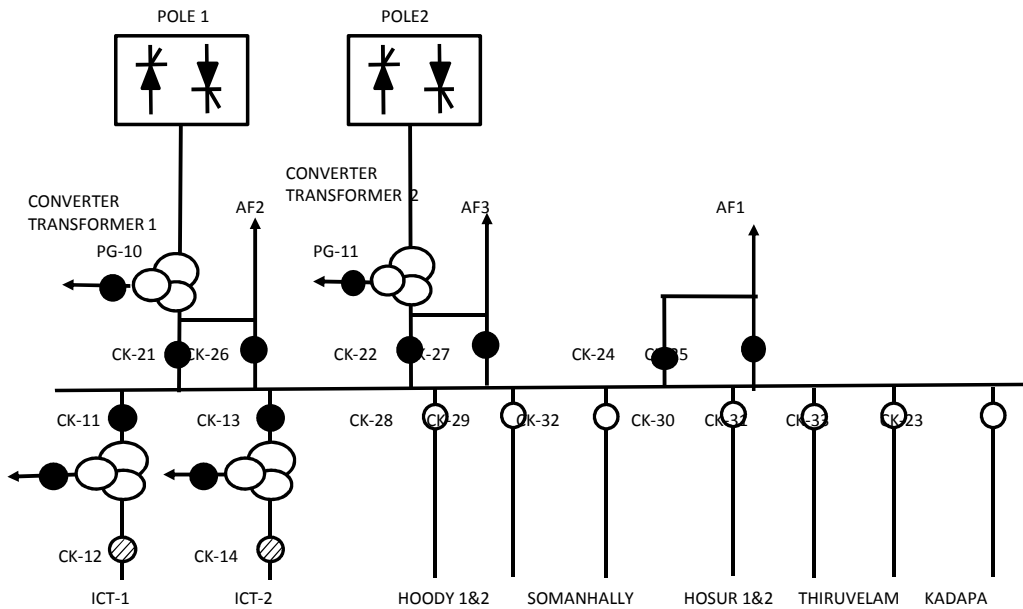
As on 02-09-2015

## SOMANAHALLI

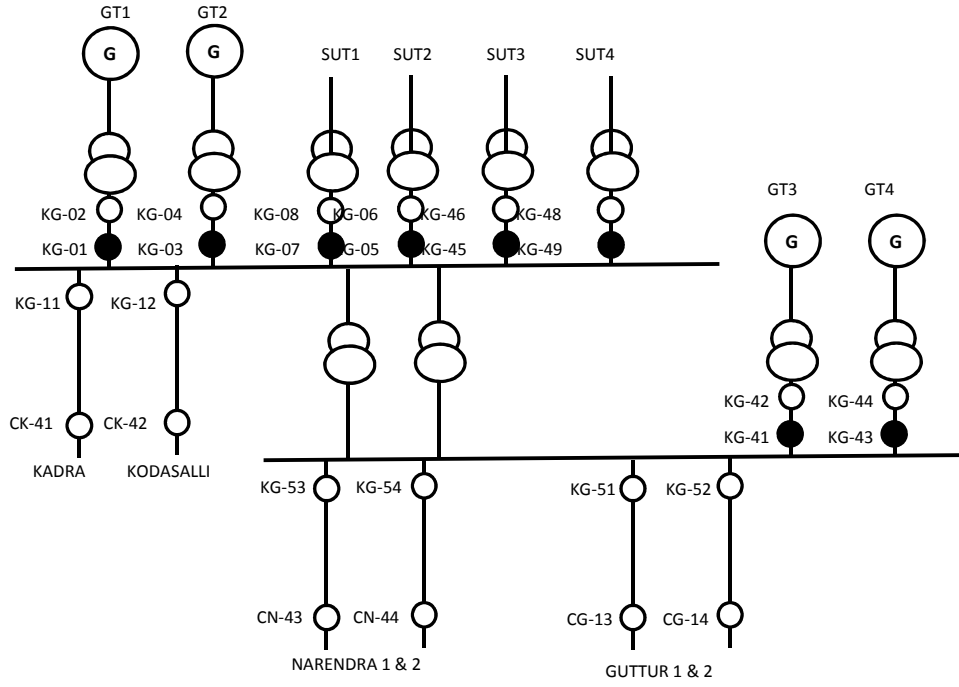


KARNATAKA DRAWL : (CS-01)+(CS-03)

## KOLAR HVDC

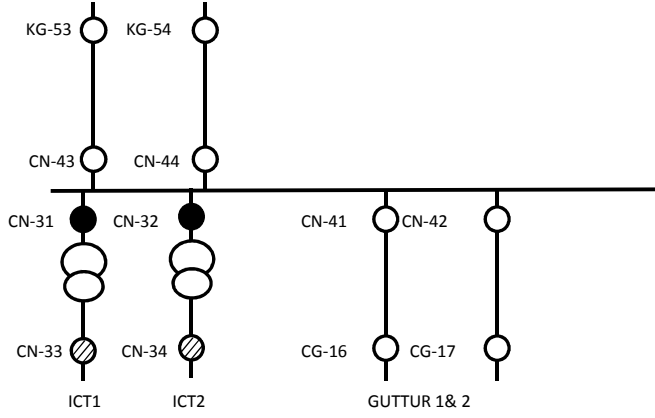


# KAIGA



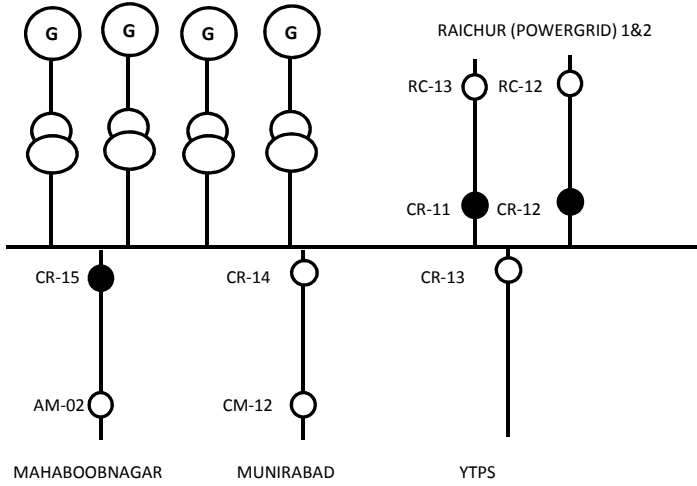
KAIGA INJECTION :  
 STAGE 1 : (KG-01)+(KG-03)+(KG-07)+(KG-05)  
 STAGE 2 : (KG-41)+(KG-43)+(KG-45)+(KG-49)

### NARENDRA



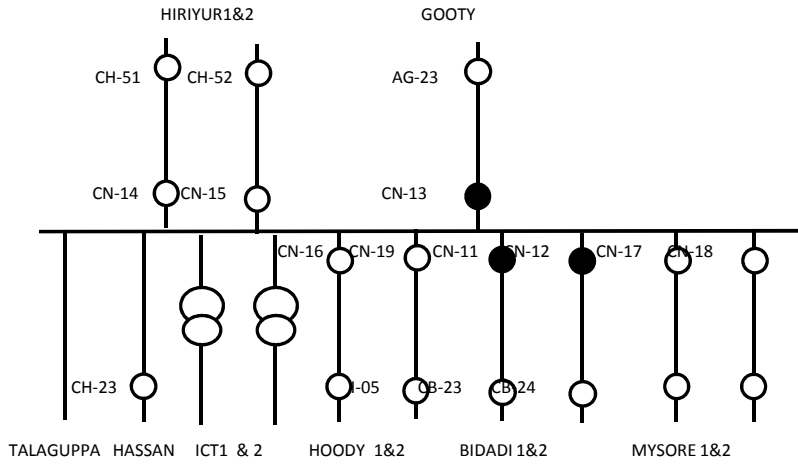
KARNATAKA DRAWLAT NARENDRA : (CN-31)+(CN-32)

### RTPS



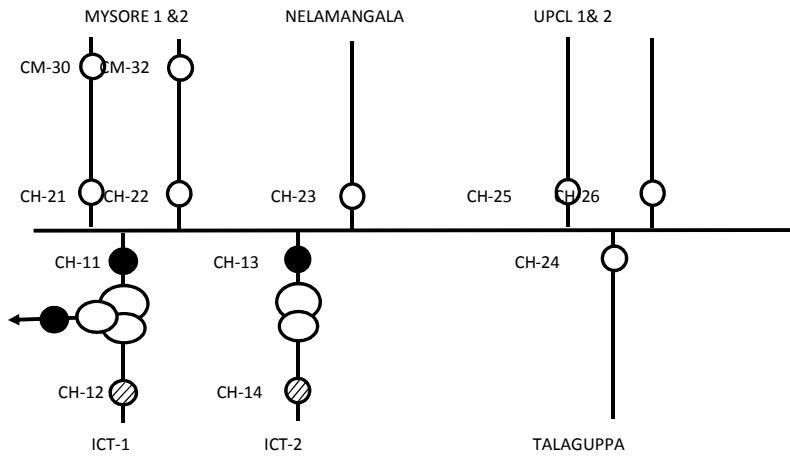
KARNATAKA DRAWLAT RTPS : -(CR-11)-(CR-12)-(CR-15)

# NELAMANGALA

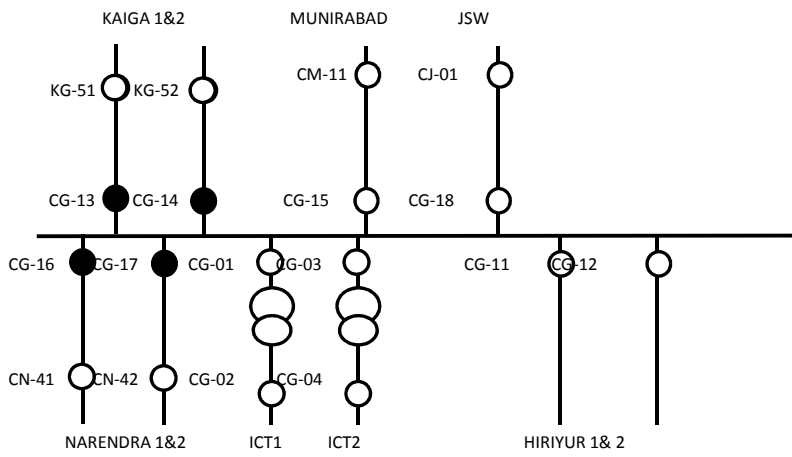


KARNATAKA DRAWLAT NELAMANGALA: -(CN-11)-(CN-12)-(CN-13)

### HASSAN

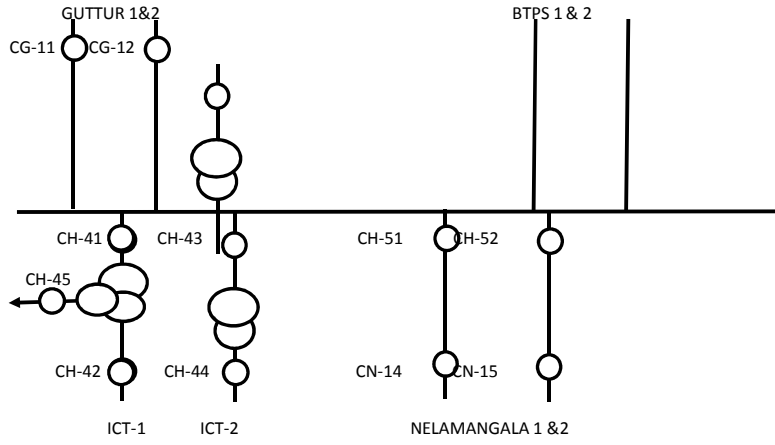


### GUTTUR

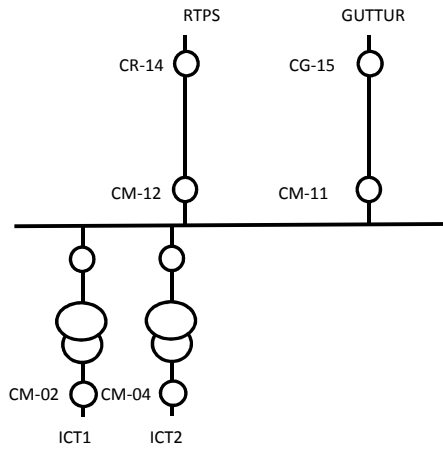


KARNATAKA DRAWL : (CG-13)+(CG-14)+(CG-15)+(CG-16)

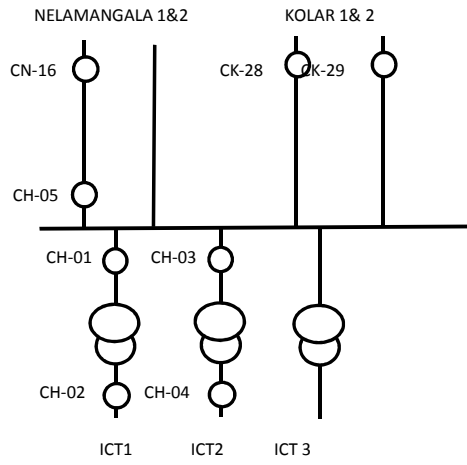
# HIRIYUR



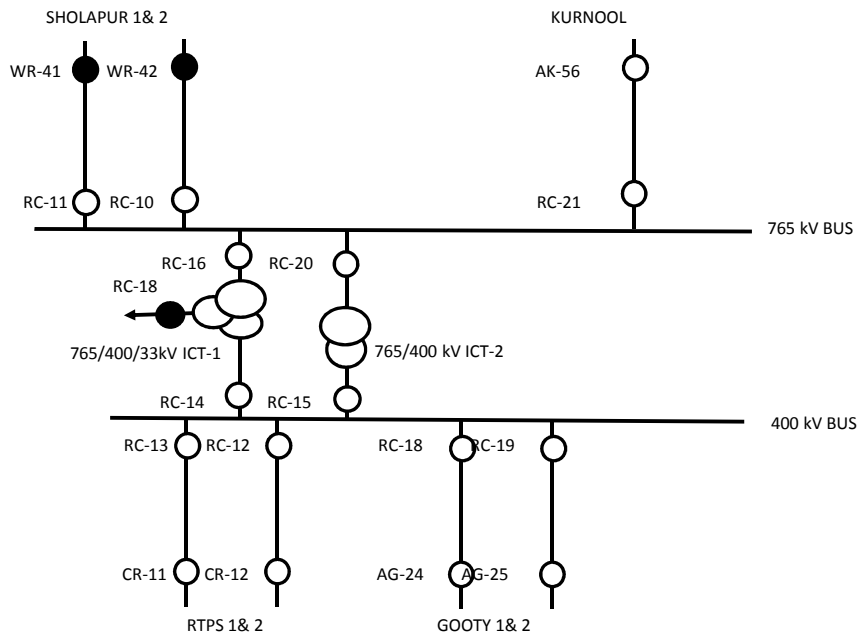
# MUNIRABAD



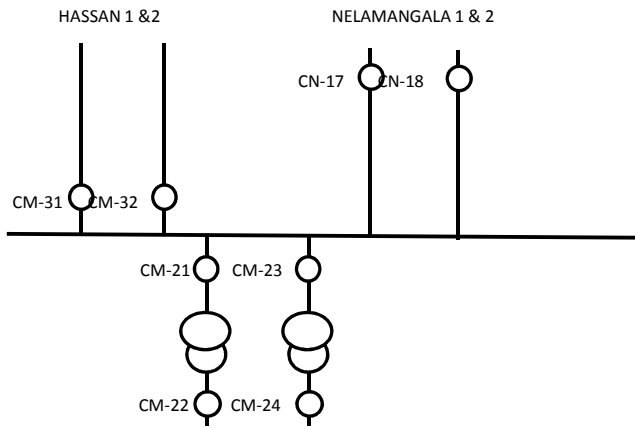
# HOODY



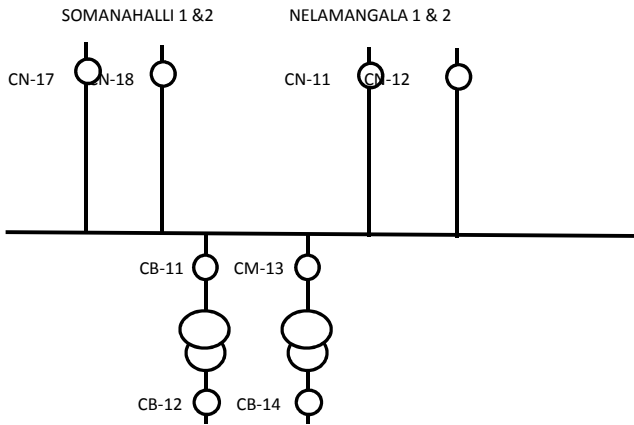
# 765kV RAICHUR



# MYSOORU



# BIDADI



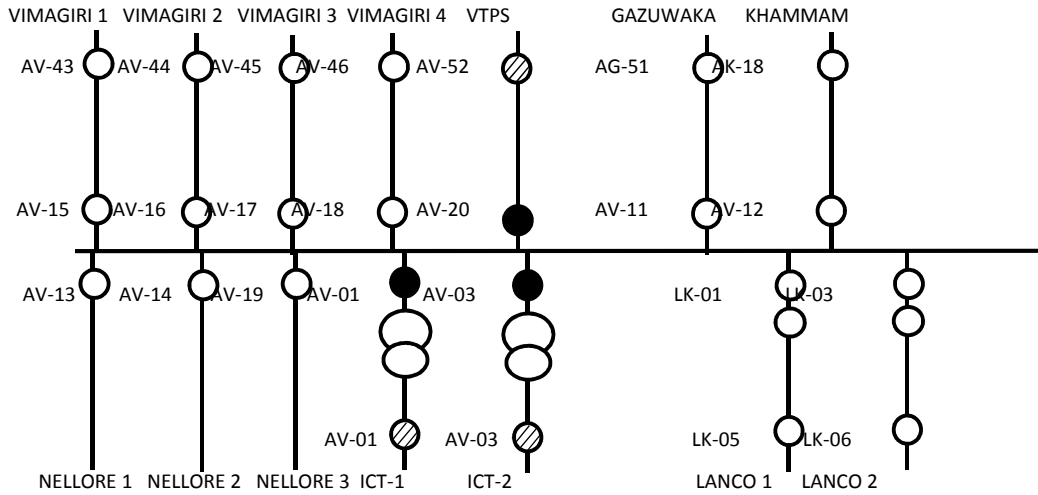
KARNATAKA DRAWL : (CB-11)+(CB-13)



# ANDHRA PRADESH

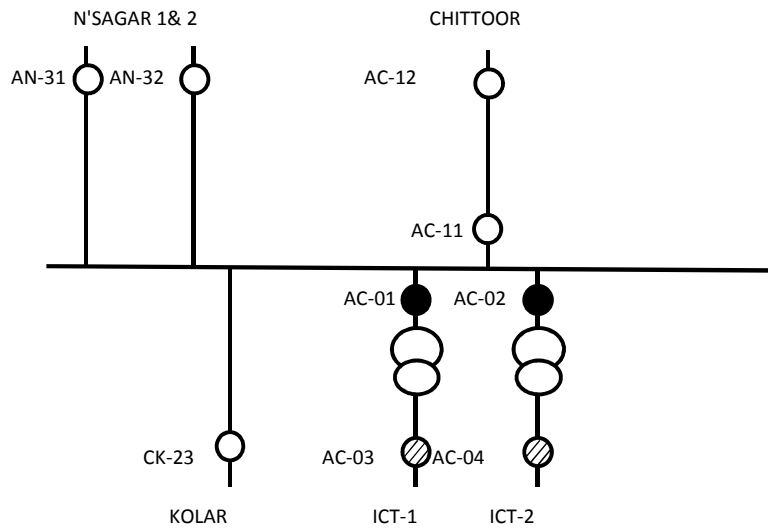
As on 02-09-2015

## VIJAYAWADA



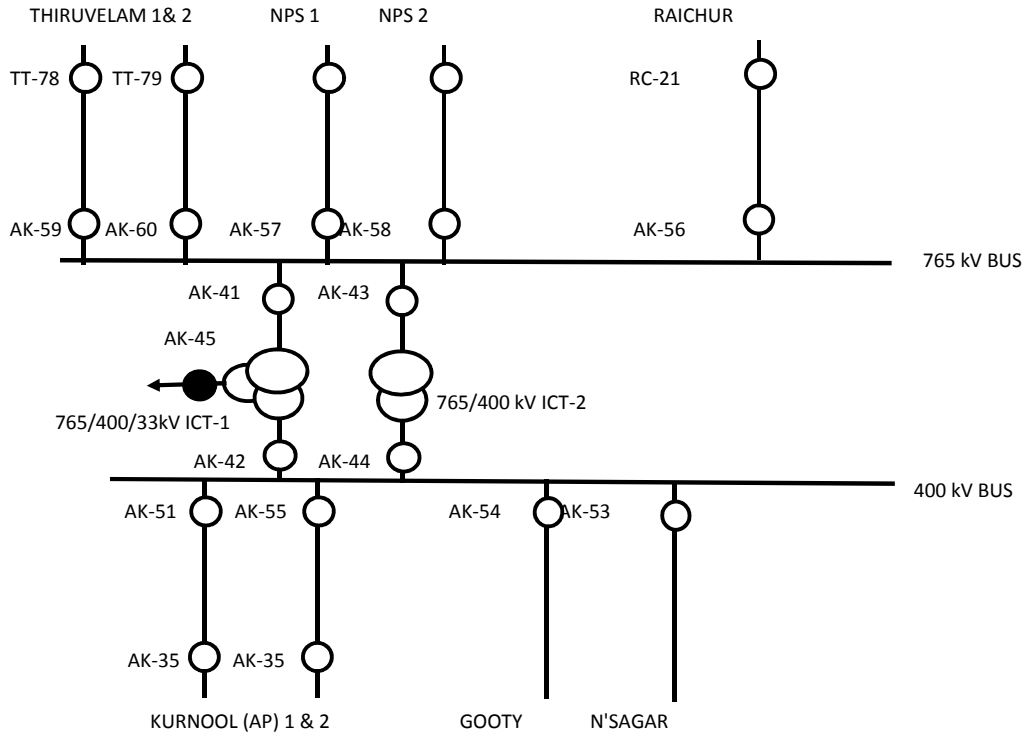
ANDHRA PRADESH DRAWL : (AV-01)+(AV-03)+(AV-19)+(AV-20)

## KADAPA

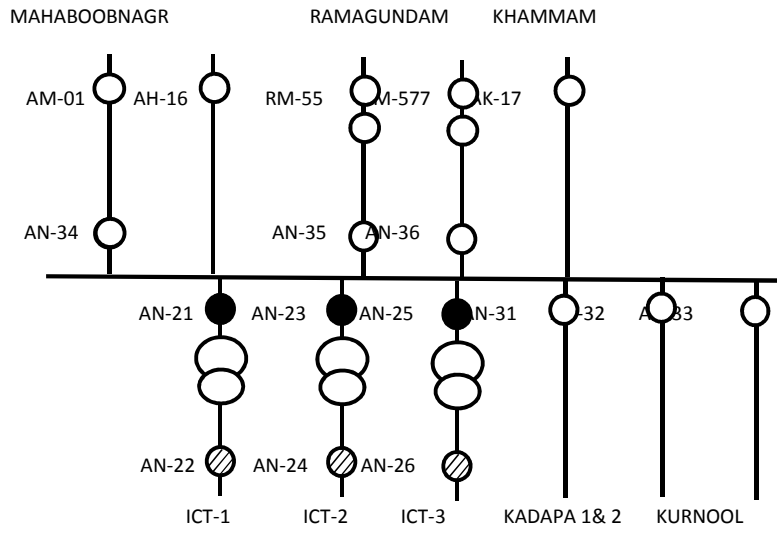


ANDHRA PRADESH DRAWL : (AC-01)+(AC-03)

# 765kV KURNOOL



# NAGARJUNA SAGAR

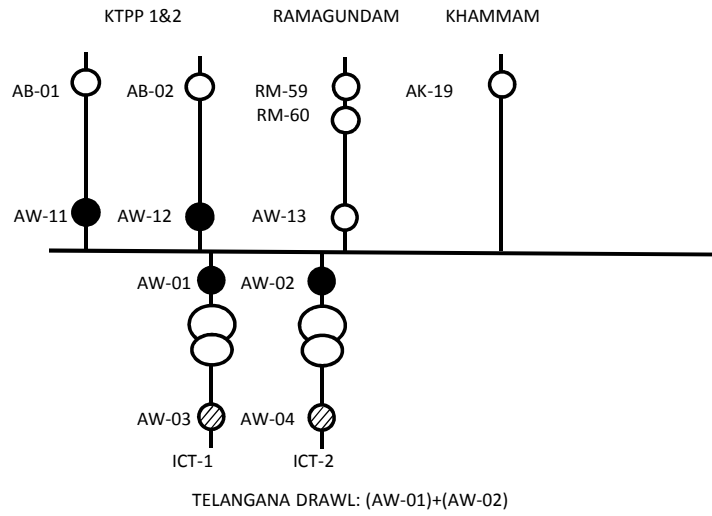


AP DRAWL: (AN-21)+(AN-23)+(AN-25)

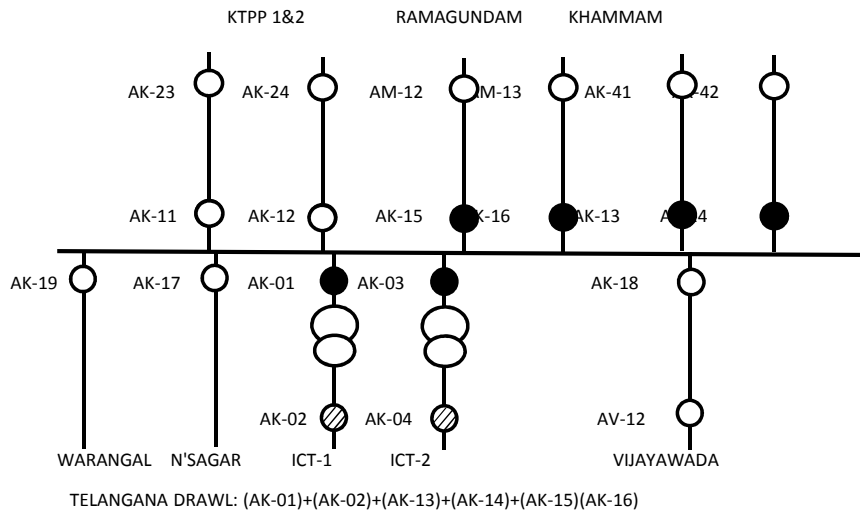
# TELANGANA

As on 02-09-2015

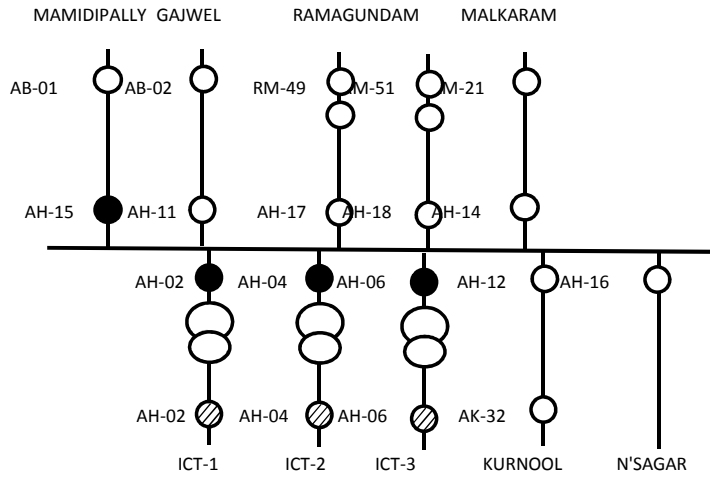
## WARANGAL



## KHAMMAM

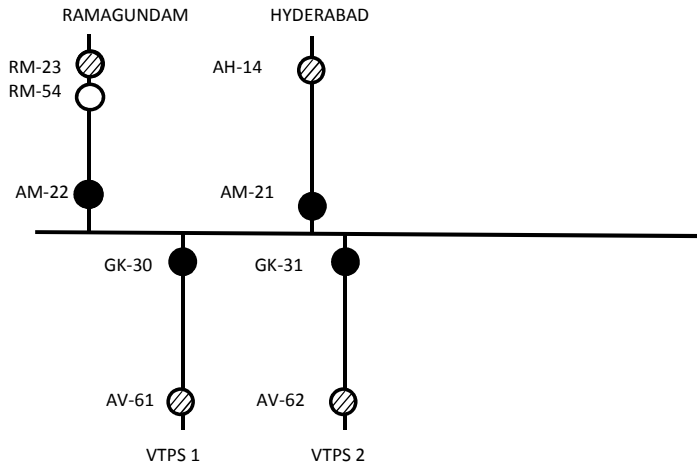


# HYDERABAD



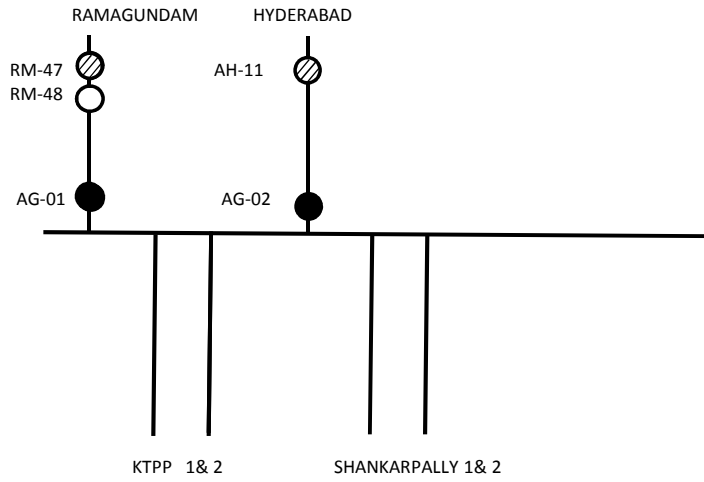
TELANGANA DRAWL: (AH-01)+(AH-03)+(AH-05)+(AH-15)

# MALKARAM



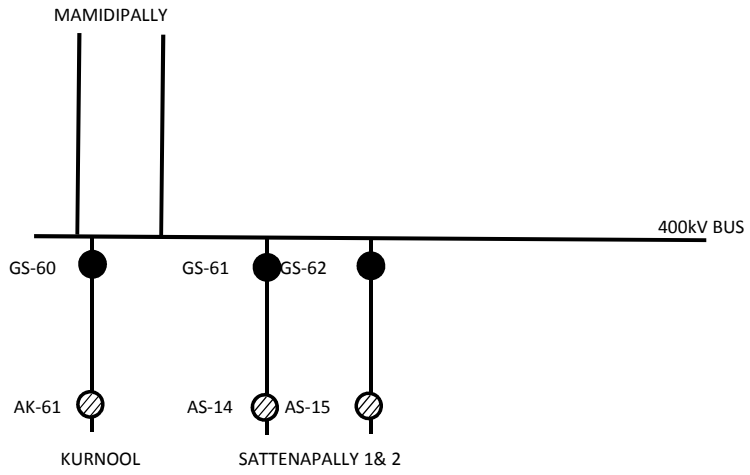
TELANGANA DRAWL : -(AM-21)-(AM-22)-(GK-30)-(GK-31)

# GAJWEL



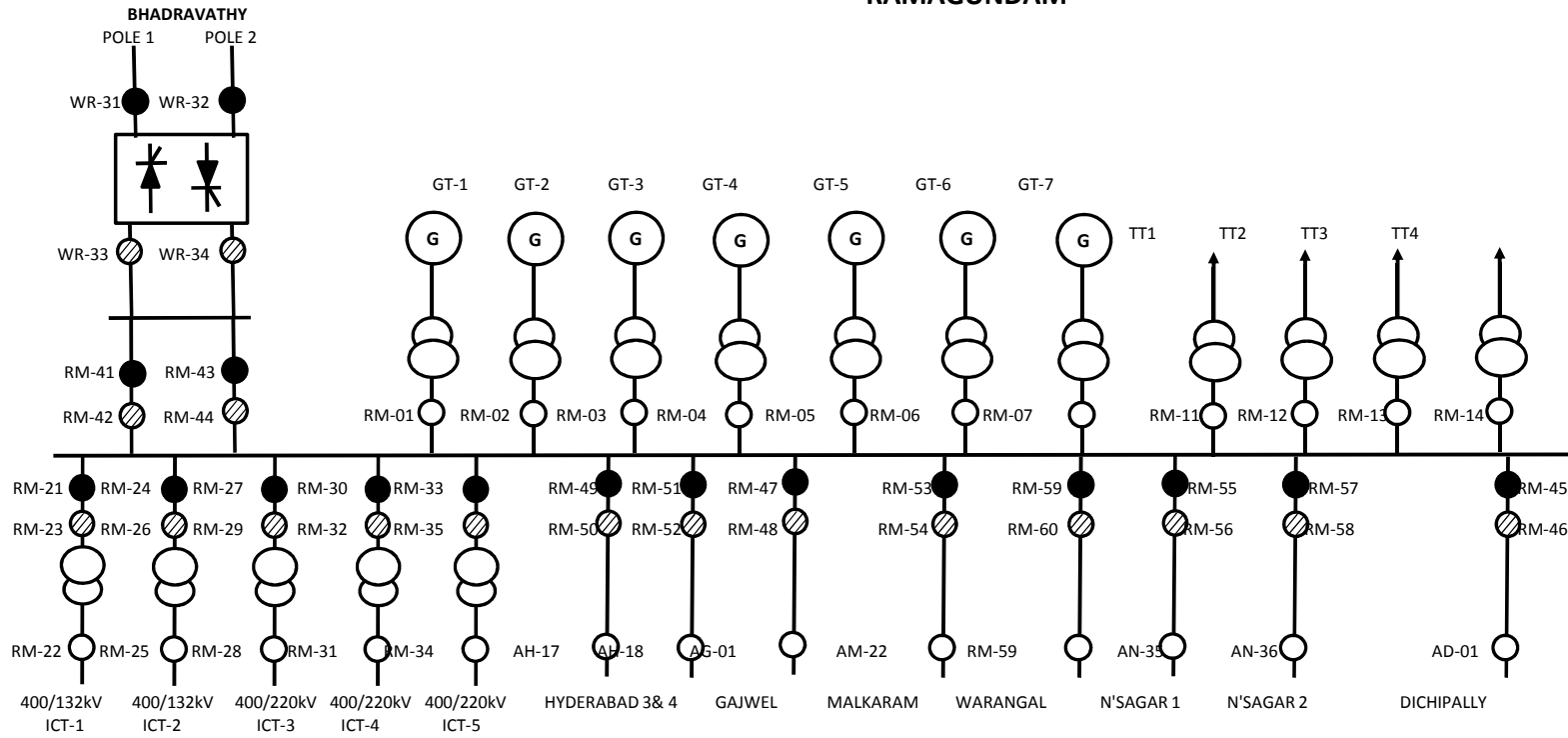
TELANGANA DRAWL : -(AG-01)-(AG-02)

# 400kV SRISAILAM



TELANGANA DRAWL : -(GS-60)-(GS-60)-(GS-62)

# RAMAGUNDAM



**RAMAGUNDAM INJECTION**

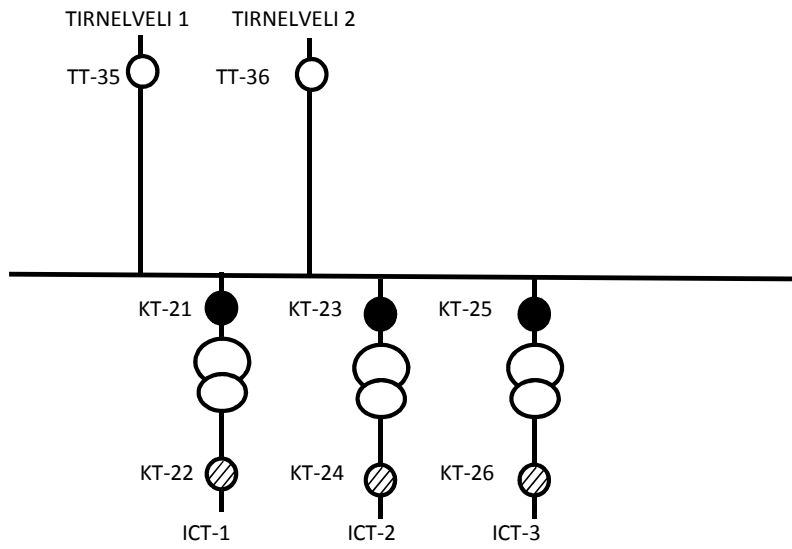
UNIT 1-6 : +(RM-41) +(RM-43) +(RM-55) +(RM-57) +(RM-47) +(RM-53) +(RM-59) +(RM-49) +(RM-51) +(RM-45)-(RM-07)+(RM-14)

UNIT 7 : +(RM-07)-(RM-14)

# KERALA

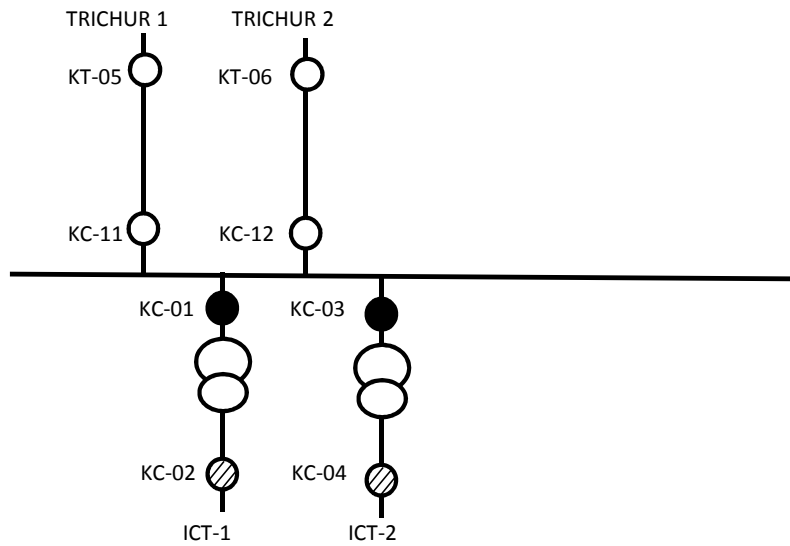
As on 02-09-2015

## TRIVANDRUM



KERALA DRAWL : (KT-21)+(KT-23)+(KT-25)

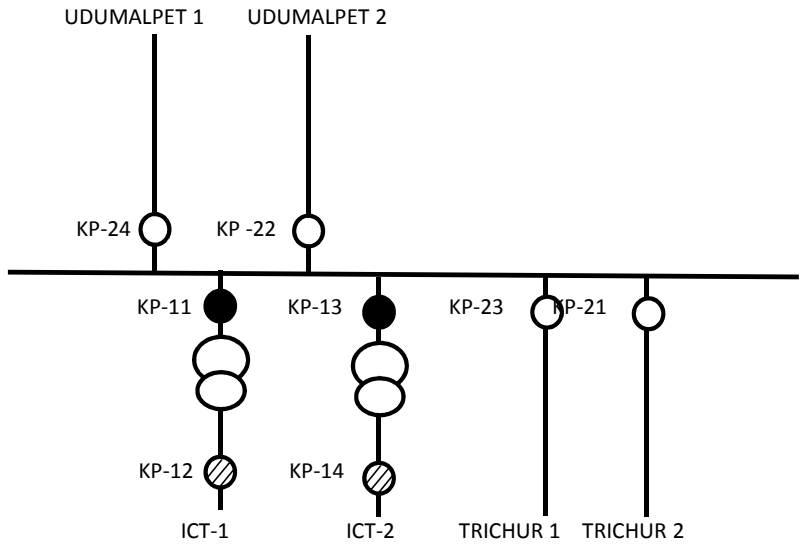
## KOCHI



KERALA DRAWL : (KC-01)+(KC-03)

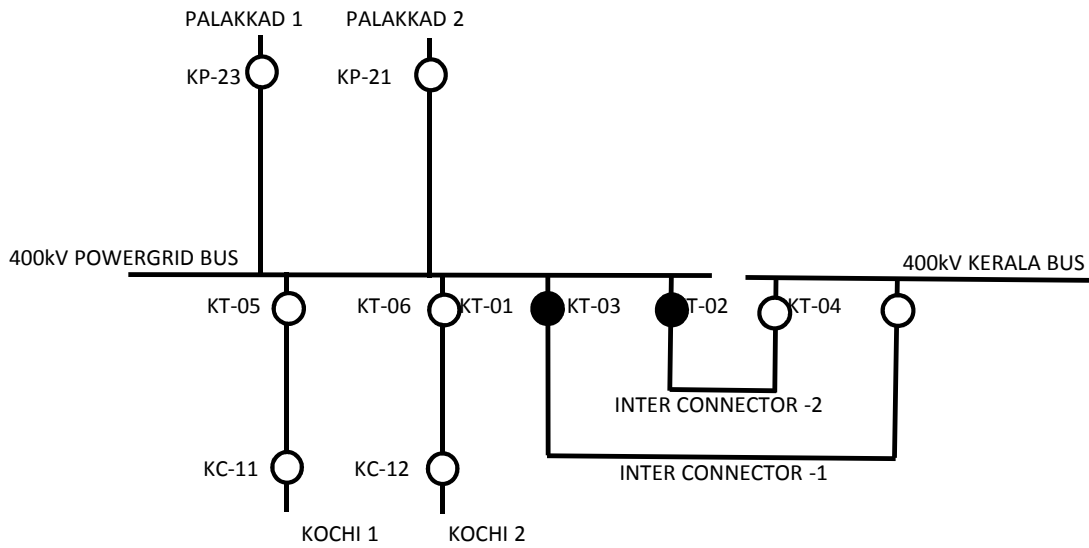


# PALAKKAD



KERALA DRAWL : (KP-11)+(KP-13)

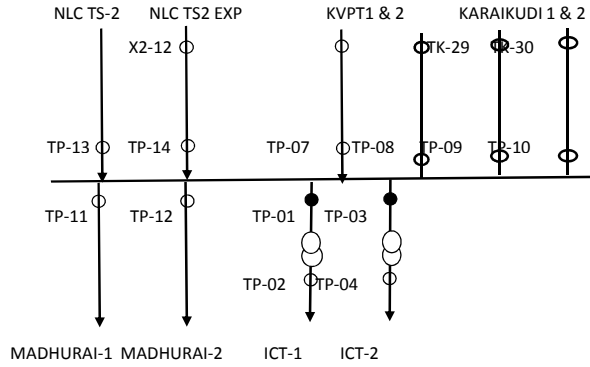
# TRICHUR



KERALA DRAWL : (KT-01)+(KT-03)

# TAMIL NADU

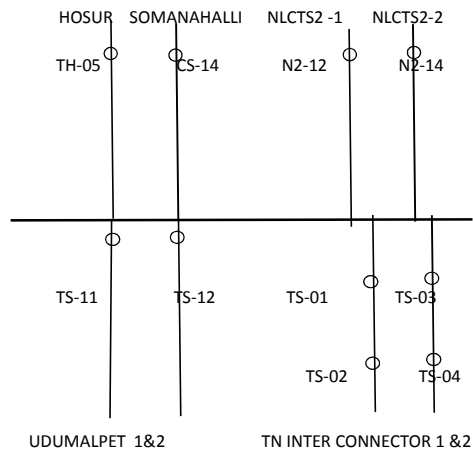
## PUGALUR BUS SECTION



**BUS SECTION AT PUGALUR:** (TP-13)+(TP-14)+(TP-07)+(TP-08)+(TP-09)+(TP-10)+(TP-11)+(TP-12)+(TP-01)+(TP-03)

**TN DRAWL AT PUGALUR:** (TP-01)+(TP-03)

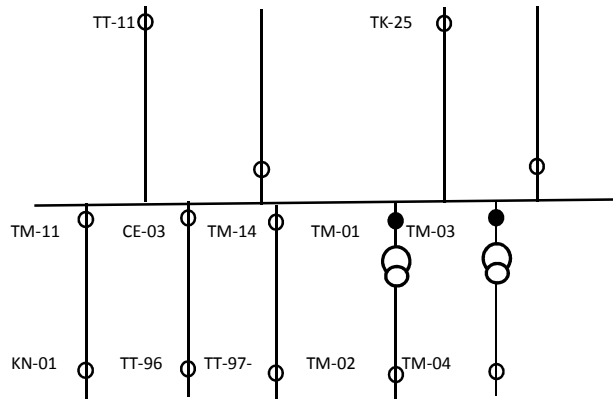
## SALEM BUS SECTION



**BUS SECTION AT SALEM:** (TH-05)\*0.99+(CS-14)\*1.01+(N2-12)\*0.99+(NP-14)\*0.99+(N2-14)\*0.99+(TS-11)+(TS-12)+(TS-01)+(TS-03)

**TN DRAWL AT SALEM:** (TS-01)+(TS-03)

### MADHURAI BUS SECTION



**MADHURAI BUS SECTION FORMULA:**

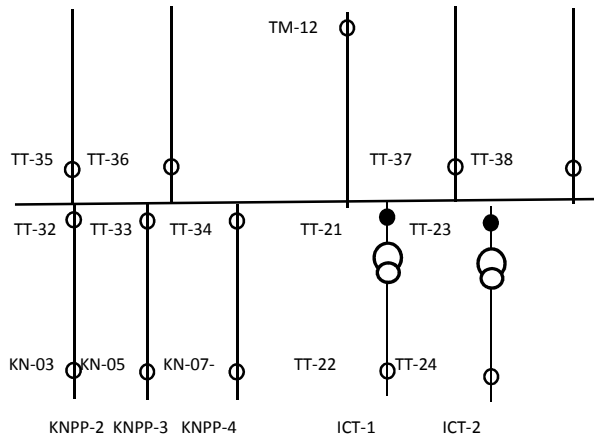
$$+(TM-14)+(CE-03)+(TM-01)+(TM-03)+(TM-11)+(TM-12)+(TM-13)-(TP-11)*0.99-(TP-12)*0.99-(TK-25)*0.99-(TT-11)*0.99$$

**TN DRAWLAT MADHURAI:**

$$(TM-01)+(TM-03)$$

### TIRUNELVELI BUS SECTION

TRIVENDRUM-1 TRIVENDRUM-2 MADHURAI UDUMALPET-1 UDUMALPET-2



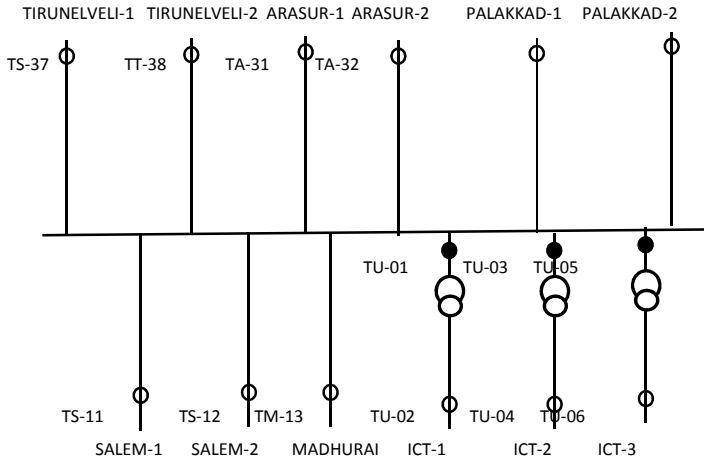
**TIRUNELVELI BUS SECTION FORMULA:**

$$+(TT-21)+(TT-23)+(TT-32)+(TT-33)+(TT-35)+(TT-36)+(TT-37)+(TT-38)-(TM-12)*C$$

**TN DRAWLAT THIRUNELVELI:**

$$(TT-23)-(TT-39)-(TT-40)$$

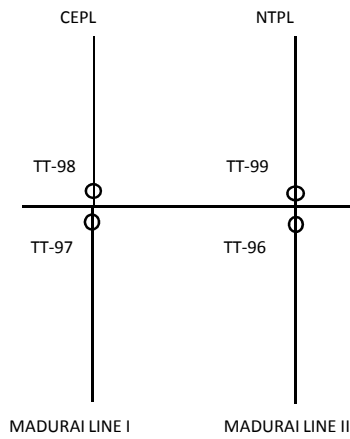
### UDUMALPET BUS SECTION



**UDUMALPET BUS SECTION FORMU**  
 $+(TT-21)+(TT-23)+(TT-32)+(TT-33)+(TT-35)+(TT-36)+(TT-37)+(TT-38)-(TM-12)$

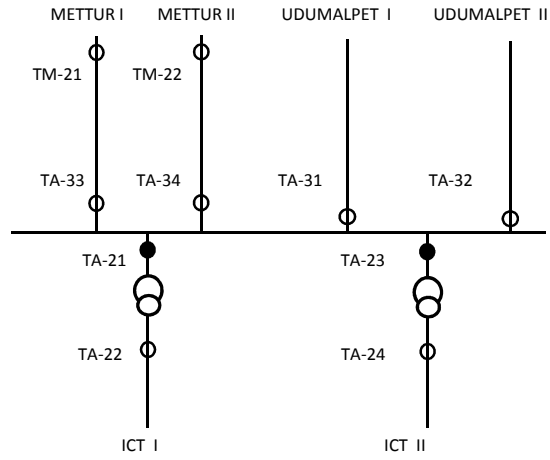
**TN DRAWLAT UDUMALPET :**  
 $(TU-01)+(TU-03)+(TU-05)$

### TUTICORIN PS BUS SECTION



**TUTICORIN PS BUS SECTION FORMULA:**  
 $+(TT-96)+(TT-97)+(TT-98)+(TT-99)$

### ARASUR BUS SECTION

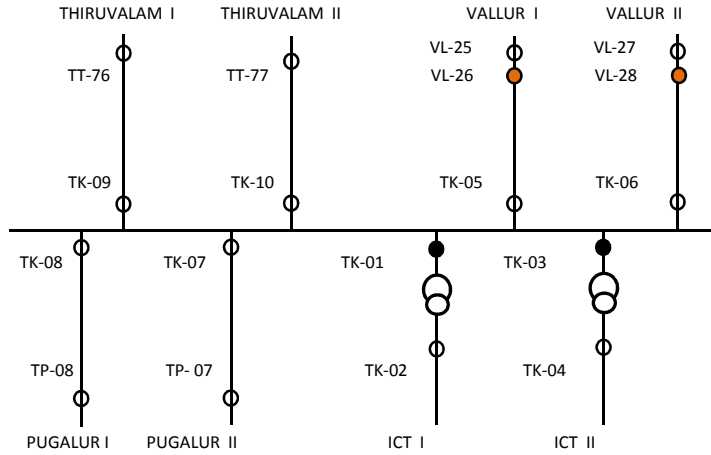


**ARASUR BUS SECTION FORMULA:**

$+(TA-21)+(TA-23)+(TA-31)+(TA-32)+(TA-33)+(TA-$

**TN DRAWL AT ARASUR:**  $(TA-21)+(TA-23)+(TA-33)$

### KALIVANTHAPATTU BUS SECTION



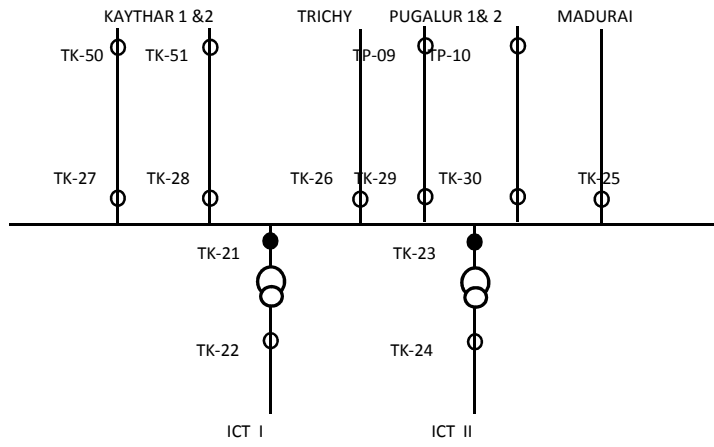
**KALIVANTHAPATTU BUS SECTI**

$+(TK-01)+(TK-03)+(TK-08)+(TK-10)+(TK-06)+(TK-09)+(TK-10)$

**TN DRAWL AT KALIVANTHAPA**

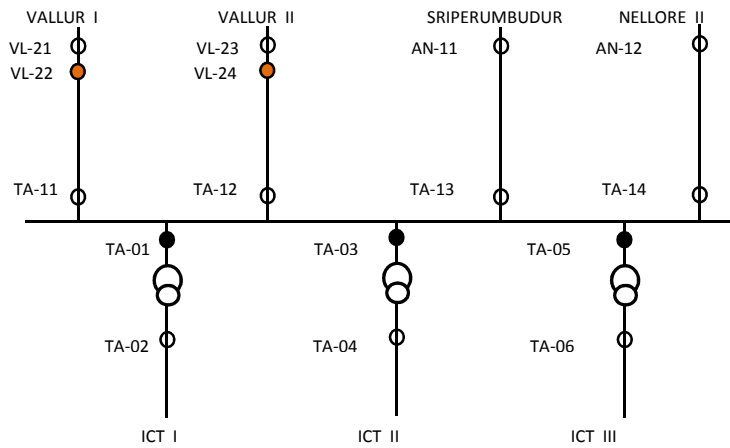
$+(TK-01)+(TK-03)$

### KARAIKUDI BUS SECTION



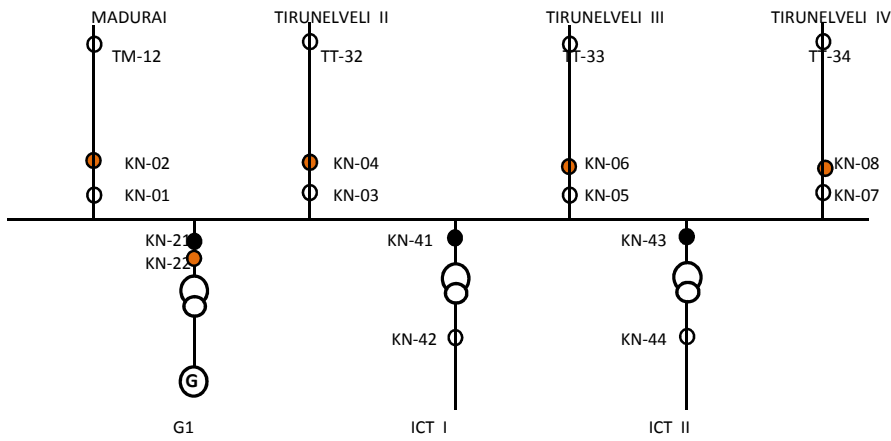
**KARAIKUDI BUS SECTION FC**  
 +(TK-21)+(TK-23)+(TK-25)+(TK-29)+(TK-30)  
**TN drawl:** (TK-21)+(TK-23-)+(TK-25)+(TK-29)+(TK-30)

### ALAMATHY BUS SECTION



**ALAMATHY BUS SECTION FC**  
 +(TA-01)+(TA-03)+(TA-05)+(TA-06)  
**TN DRAWL AT ALAMATHY:** (TA-01)+(TA-03)+(TA-05)+(TA-06)

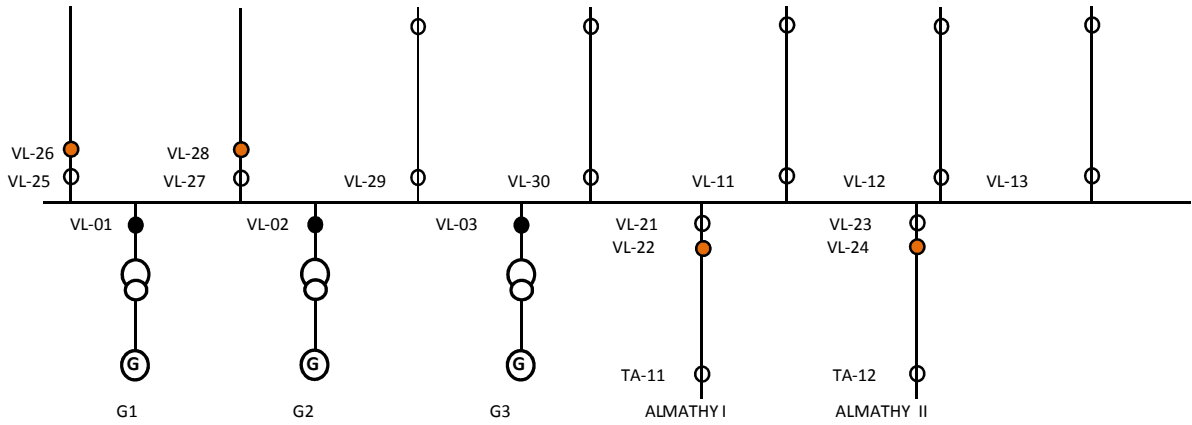
### KUDANKULAM NPP BUS SECTION



- CHECK METER
- MAIN METER

**KUDANKULAM NPP BUS SECTION FOR**  
 $+(KN-01)+(KN-03)+(KN-05)+(KN-07)+(KN-41)+(KN-43)$

### NTECL VALLUR BUS SECTION



- CHECK METER
- MAIN METER

**NTECL VALLUR BUS SECTION FORMULA:**  
 $+(VL-01)+(VL-02)+(VL-03)+(VL-11)+(VL-12)+(VL-13)+(VL-21)+(VL-23)+(VL-25)+(VL-27)+(VL-29)+(VL-30)$

### SRIPERUMBUDUR BUS SECTION

